



INVERTER

NZ100 Series

Micro & Economic VF control inverter



芜湖众辰自动化设备有限公司
Wuhu ZONCN Automation Equipment Co.,LTD.



NZ100 Series Micro & Economic

- Compact size and low cost design;
- Terminals uncovered, easy for wiring
- DIN-rail mounting (below 5.5kW)
- Supports MODBUS via RS485
- Maintenance-free
- V/F control; Built-in PID control,
- Power range: 220V 0.4kWw-2.2kW
380V 0.75kW-160kW

Technical Specification

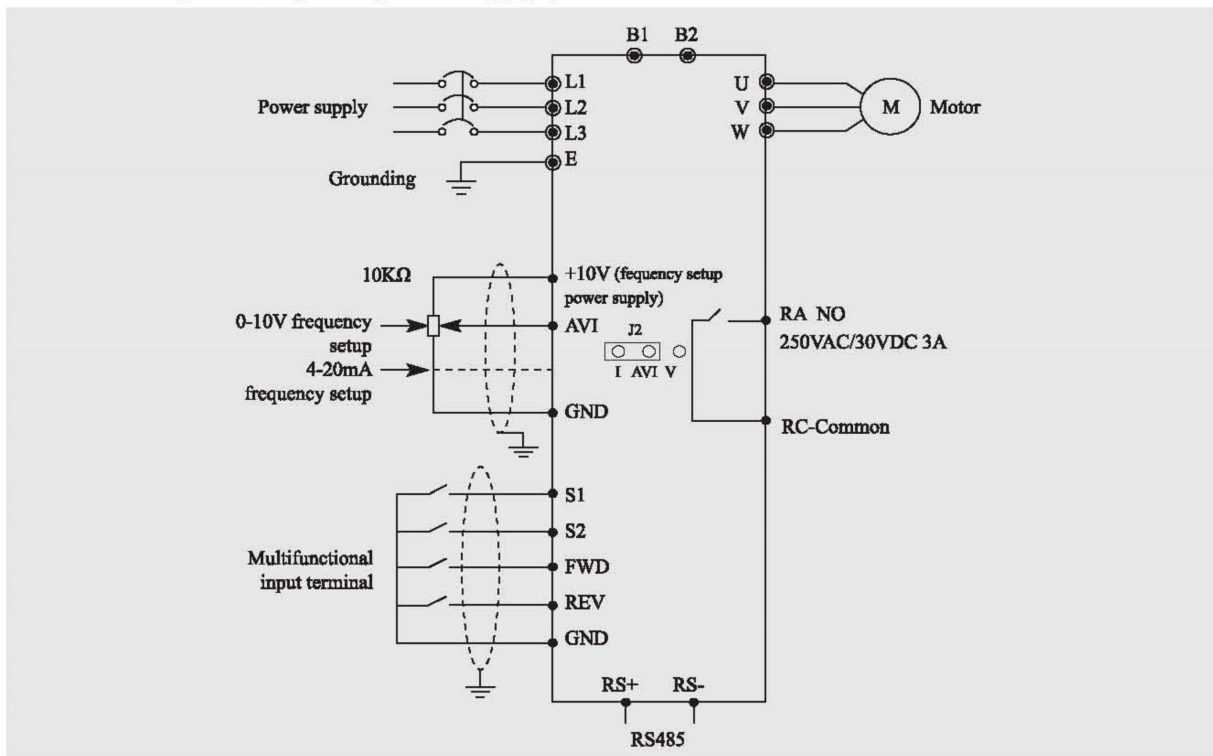
Items		NZ100
Power Supply	Rated voltage, Frequency	One-phase/Three-phase AC 220V/380V 50/60Hz
	Voltage Range	220V: 170~240V 380V: 330V~440V
Output	Voltage Range	220V: 0~220V 380V: 0~380V
	Frequency Range	0.10~400.00Hz
Control method		V/F control
Indication		Operating status/Alarm definition/interactive guidance: frequency setting, the output frequency/ current, DC bus voltage and so on.
Control Specifications	Output Frequency Range	0.10Hz~400.00Hz
	Frequency Setting Resolution	Digital input: 0.10Hz, analog input: 0.1% of maximum output frequency
	Output Frequency Accuracy	0.01Hz
	V/F Control	Setting V/F curve to satisfy various load requirements.
	Torque Boost	Auto increase: auto raise torque by loading Condition; Manual increase: enable to set 0.0~20.0% of raising torque.
	Multifunctional Input Terminal	Four multi-function input terminals, realizing functions including eight section speed control, Program running, four-section acceleration/deceleration speed switch, UP/DOWN function and emergency stop and other functions
Multifunctional Output Terminal	1 multi-function output terminals for displaying of run, zero speed, external abnormality, program operation and other information and warnings.	
Other functions	Acceleration/ Deceleration Time Setting	0~999.9s acceleration/deceleration time can be set individually.
	PID Control	Built-in PID control
	RS485	Standard RS485 communication function(MODBUS)
	Frequency Setting	Analog input: 0 ~ 10 V, 4~20mA Digital input: Operation panel or RS485 or UP/DOWN. Note: AVI terminals can be used to select an Analog voltage input (AV) and analog current input (AI) through the switch J2.
	Multi-speed	Four multifunction input terminals, 15 section speed can be set
	Automatic Voltage Regulation	Automatic voltage regulation function can be selected
Protection/Warning Function	Counter	Built-in 2 group of counters
	Overload	150%, 60 second(Constant torque)
	Over Voltage	Over voltage protection can be set.
	Under Voltage	Under voltage protection can be set
Other Protections	Output short circuit, over current, and parameter lock and so on.	
Environment	Ambient Temperature	-10°C to 40°C(non-freezing)
	Ambient Humidity	Max. 95% (non-condensing)
	Altitude	Lower than 1000m
	Vibration	Max.0.5G
Structure	Cooling Mode	Forced air cooling
	Protective Structure	IP 20
Installation		Wall-mounted or standard 35mm rail mounting (≤5.5kW)

Specification

Model	Input Current (A)	Output Power (kW)	Capacity (KVA)	Output Current (A)	Overload capacity (60s)(A)	Motor Equipped (kW)
Input Voltage(V): 1PH AC220V±15%						
NZ100-0R4G-2	5.4	0.4	1.0	2.5	3.75	0.4
NZ100-0R75G-2	8.2	0.75	2.0	5	7.5	0.75
NZ100-1R5G-2	14	1.5	2.8	7	10.5	1.5
NZ100-2R2G-2	23	2.2	4.5	11	16.5	2.2
Input Voltage(V): 3PH AC380V±15%						
NZ100-0R75G-4	3.4	0.75	2.2	2.7	4.05	0.75
NZ100-1R5G-4	5.0	1.5	3.2	4.0	6	1.5
NZ100-2R2G-4	5.8	2.2	4.0	5.0	7.5	2.2
NZ100-3R7G/5R5P-4	10.7	3.7	6.8	8.6	12.9	3.7
NZ100-5R5G/7R5P-4	14.6	5.5	10	12.5	18.75	5.5
NZ100-7R5G/11P-4	20	7.5	11.2	17.5	26.25	7.5
NZ100-11G/15P-4	26	11	17	24	36	11
NZ100-15G/18P-4	35	15	26	33	49.5	15
NZ100-18G/22P-4	38	18.5	32	40	60	18.5
NZ100-22G/30P-4	46	22	37	47	70.5	22
NZ100-30G/37P-4	62	30	52	65	97.5	30
NZ100-37G/45P-4	76	37	64	80	120	37
NZ100-45G/55P-4	90	45	72	90	135	45
NZ100-55G/75P-4	105	55	84	110	165	55
NZ100-75G/90P-4	140	75	115	152	228	75
NZ100-90G/110P-4	160	90	135	176	264	90
NZ100-110G/132P-4	210	110	160	210	315	110
NZ100-132G/160P-4	240	132	193	255	382.5	132
NZ100-160G/185P-4	290	160	230	305	457.5	160

Typical Wiring diagram

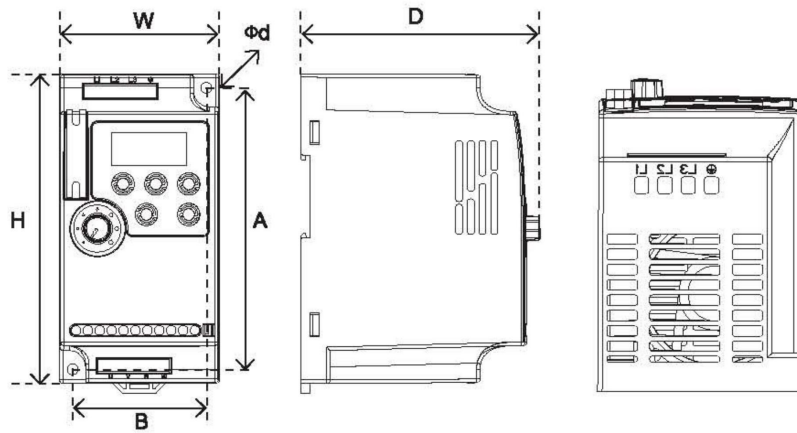
When using a single-phase power supply, please access from terminals L1 and L2



Note: AVI terminals can be used to select an analog voltage input (0-10V) and analog current input (4-20mA) through the switch J2.

Dimension

Unit:mm



Model	W	H	D	A	B	Φd
NZ100-0R4G-2 -- NZ100-1R5G-2	68	132	102	120	57	4.5
NZ100-2R2G-2	72	142	112.2	130	61	4.5
NZ100-0R75G-4 -- NZ100-2R2G-4						
NZ100-3R7G/5R5P-4 -- NZ100-5R5G/7R5P-4	85	180	116	167	72	5.5
NZ100-7R5G/11P-4 -- NZ100-11G/15P-4	106	240	153	230	96	4.5
NZ100-15G/18P-4 -- NZ100-22G/30P-4	151	332	165.5	318	137	7
NZ100-30G/37P-4 -- NZ100-37G/45P-4	217	400	201	385	202	7
NZ100-45G/55P-4 -- NZ100-55G/75P-4	300	455	240	440	200	4.5
NZ100-75G/90P-4 -- NZ100-110G/132P-4	275	630	310	612	200	4.5
NZ100-132G/160P-4 -- NZ100-160G/185P-4	400	715	310	695	320	11



WUHU ZONCN AUTOMATION EQUIPMENT CO.,LTD.

Factory Add.: No.168,Sunshine Avenue,Xinwu Economic Development Zone

Wuhu City,Anhui Province,P.R.China

TEL.:0086-553-2619975 Mobile&Wechat:0086-13695679077

Email: info@whzoncn.com Website: www.whzoncn.com