

T8000D series

Multi-function high performance spindle
servo drive



T8000D Series

Multi-function High-performance Spindle Servo Drive



Technical Specification

Item	T8000D	
Maximum frequency	Vector control: 0~1000 V/F control: 0~1500	
Carrier frequency	0.8kHz~16kHz The carrier frequency is automatically adjusted based on the load features.	
Input frequency resolution	Digital setting:0.01Hz Analog setting: Maximum frequency x 0.025%	
Control Mode	Sensorless flux vector control (SVC) Close-loop vector control (FVC)	
Start torque	G type: 0.5Hz/150%(SVC); 0Hz/180%(FVC)	
Speed range	1: 100(SVC)	1: 1000(FVC)
Speed stability accuracy	±0.5%(SVC)	±0.02%(FVC)
Torque control accuracy	±5%(FVC)	
Overload capacity	G type: 60s for 150% of the rated current, 3s for 180% of the rated current.	
Torque boost	Auto-boost; Customized boost: 0.1%~30.0%	
V/F curve	Straight-line V/F curve Multi-point V/F curve N-power V/F curve (1.2-power, 1.4-power, 1.6-power, 1.8-power, square)	
Ramp mode	Straight-line ramp. Four groups of acceleration/deceleration time with the range of 0.00~6500.0s	
DC braking	DC braking frequency: 0.00Hz~Maximum frequency Braking time: 0.0s~36.0s Braking action current value: 0.0%~100.0%	
Auto voltage regulation (AVR)	It can keep constant output voltage automatically when the mains voltage changes	
Rapid current limit	It helps to avoid frequent over current faults of the AC drive.	
Support for kinds of PG cards	Differential input PG card; Rotating transformer PG card, Open-collector.	
Power dip ride through	The load feedback energy compensates the voltage reduction so that the AC drive can continue to run for a short time	
Overvoltage/overcurrent stall control	The current and voltage are limited automatically during the running process so as to avoid frequent tripping due to over voltage/over current	
Torque limit and control	It can limit the torque automatically and prevent frequent over current tripping during the running process. Torque control can be implemented in the FVC mode.	
Onboard multiple preset speeds	It implements up to 16 speeds via the simple PLC function or combination of X terminal states	
Support motor type	Asynchronous motor, spindle asynchronous motor, Permanent Magnet Synchronous Motor, Spindle Synchronous Motor	

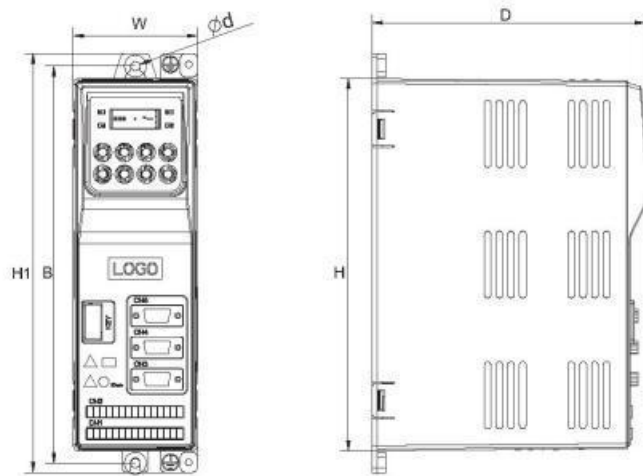
Specification

Model	Rated output power (kW)	Rated input current(A)	Rated output current (A)	Motor Power (kW)
Input Voltage(V): 3PH AC380V±15%				
T8400D-0R75G	0.75	3.8	2.5	0.75
T8400D-1R5G	1.5	5	3.7	1.5
T8400D-2R2G	2.2	5.8	5	2.2
T8400D-3R7G	3.7	10	9	3.7
T8400D-5R5G	5.5	15	13	5.5
T8400D-7R5G	7.5	20	17	7.5
T8400D-11G	11	26	25	11
T8400D-15G	15	35	32	15
T8400D-18.5G	18.5	38	37	18.5
T8400D-22G	22	46	45	22
T8400D-30G	30	62	60	30
T8400D-37G	37	76	75	37
T8400D-45G	45	92	90	45
T8400D-55G	55	113	110	55
T8400D-75G	75	157	150	75
T8400D-90G	90	180	176	90
T8400D-110G	110	214	210	110
T8400D-132G	132	256	253	132
T8400D-160G	160	307	300	160

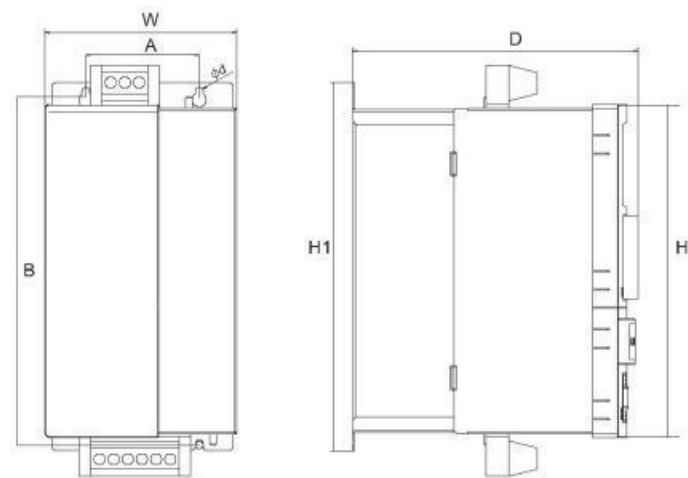
Dimension

Unit: mm

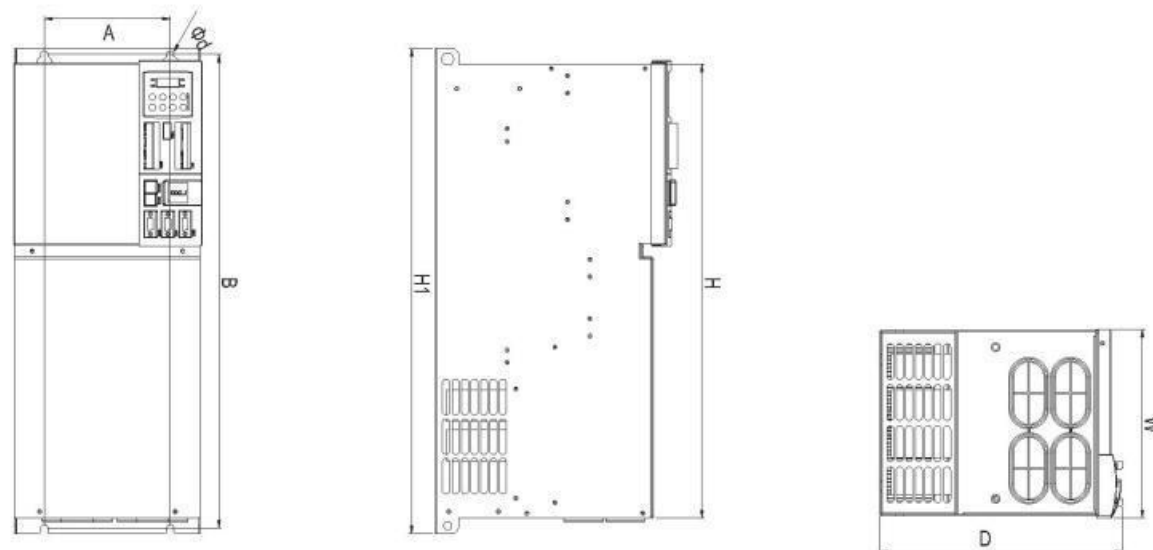
① 0.75-3.7kW



② 5.5-22kW



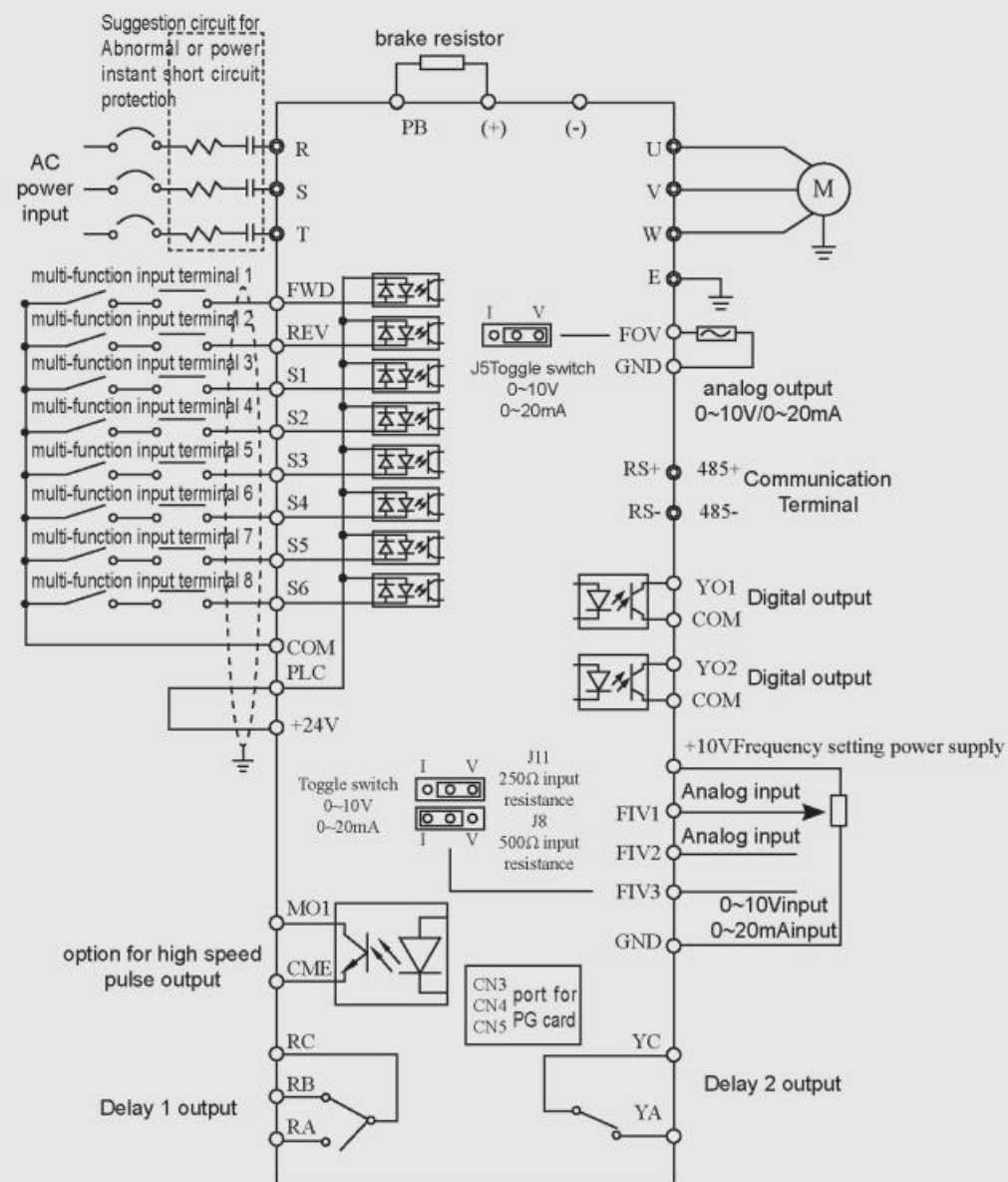
③ 30-160kW



T8000D Series Multi-function High-performance Spindle Servo Drive

Model	Outline Dimension (mm)				Assembly Dimension (mm)			unit: mm
	W	H	H1	D	A	B	Φd	Install
T8400D-0R75G	74	222	250	163	-	237	5.5	Wall mounting
T8400D-1R5G								
T8400D-2R2G								
T8400D-3R7G-D								
T8400D-3R7G	89	235	260	200	-	250	5.5	
T8400D-5R5G								
T8400D-7R5G								
T8400D-11G	136	235	260	202	80	250	5.5	
T8400D-15G								
T8400D-18.5G	193	235	260	222	132	250	5.5	
T8400D-22G								
T8400D-30G	177	439	475	256	120	460	7	
T8400D-37G								
T8400D-45G	235	575	615	308	160	600	9	
T8400D-55G								
T8400D-75G								
T8400D-90G	275	595	630	340	200	612	9	
T8400D-110G								
T8400D-132G	304	844	880	451	200	838	11	
T8400D-160G								

Typical Wiring diagram





WUHU ZONCN AUTOMATION EQUIPMENT CO.,LTD.

Factory Add.: No.168,Sunshine Avenue,Xinwu Economic Development Zone

Wuhu City,Anhui Province,P.R.China

TEL.:0086-553-2619975 Mobile&Wechat:0086-13695679077

Email: info@whzoncn.com Website: www.whzoncn.com